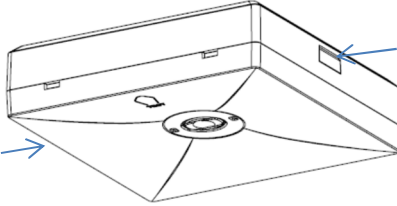
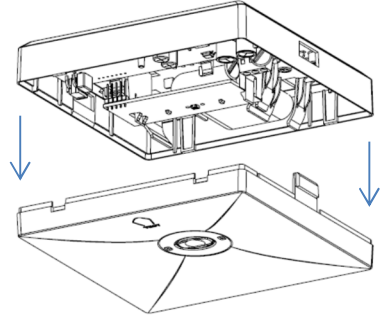


I. OPENING OF THE HOUSING

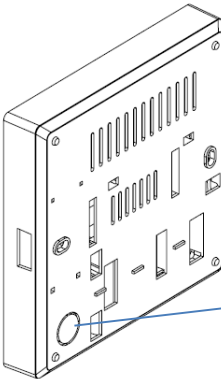
1. Open the housing by pressing the latches at both housing's sides



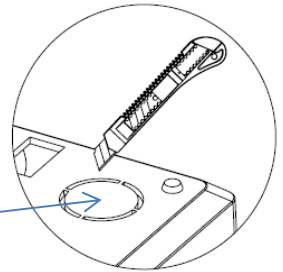
2. Slide out the housing's cover



II. CUTTING OUT THE HOLE FOR POWER CABLE



Cut out the hole for power cable in the housing's bottom, according to the drawing



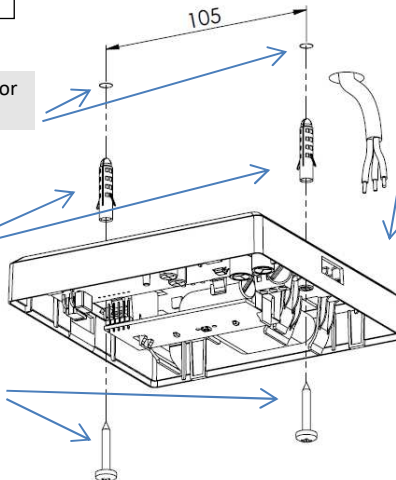
III. FIXING TO THE CEILING

1. Drill holes in the ceiling for fixing plugs (max.  $\varnothing 6$ )

2. Install the plugs

3. Guide the power cable through the prepared cut-out

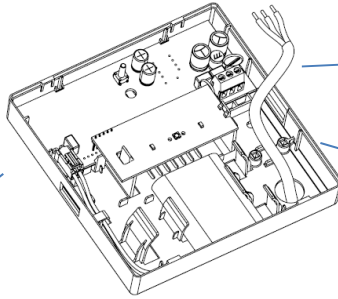
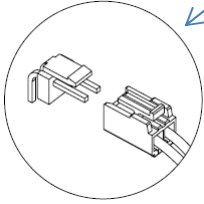
4. Fix the housing's bottom to the ceiling (screws - max.  $\varnothing 4$ )



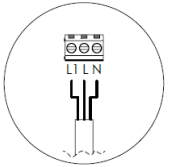
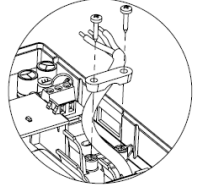
# INSTALLATION DRAWINGS

## IV. WIRING

3. Connect the battery



2. Screw in firmly the cable's strain relief

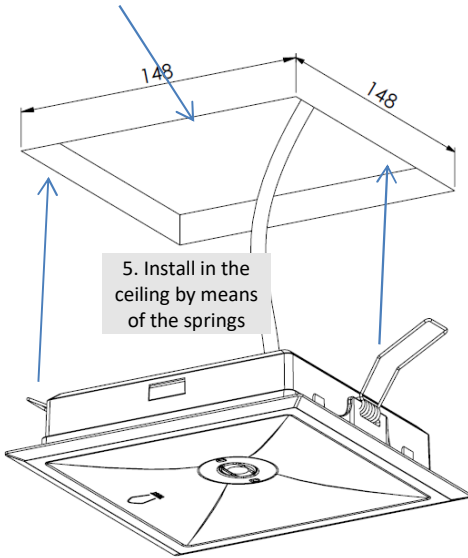
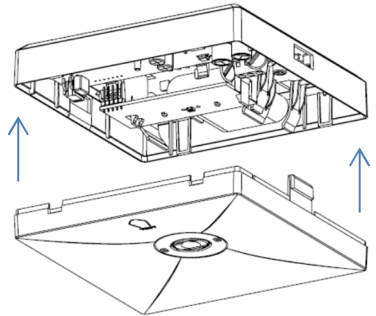


## VI. RECESSED INSTALLATION

1. Cut out the hole in the ceiling

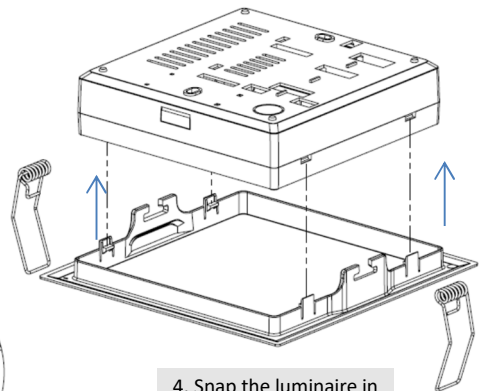
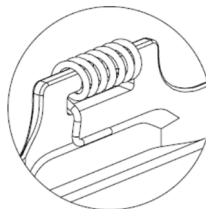
2. Carry out the I, II, III/3, IV and V installation steps as for surface installation

Snap the cover in the housing's bottom



5. Install in the ceiling by means of the springs of the device

3. Mount the installation springs in the recessed frame



4. Snap the luminaire in the recessed frame